

Mitchell

DIFFERENTIAL, INC.

384 HARTFORD TURNPIKE • SHREWSBURY, MA 01545

PH. 508-755-3790

WWW.MITCHELLDIFFERENTIAL.COM

FAX 508-754-2947

CUSTOM REAR FULL-FLOAT AXLE WORKSHEET

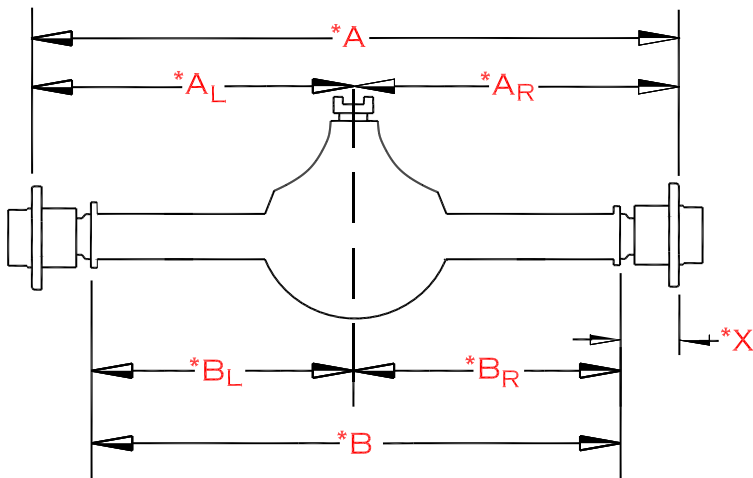
SHIP TO

NAME _____
ADDRESS _____
CITY, STATE, ZIP _____
PHONE _____

BILL TO

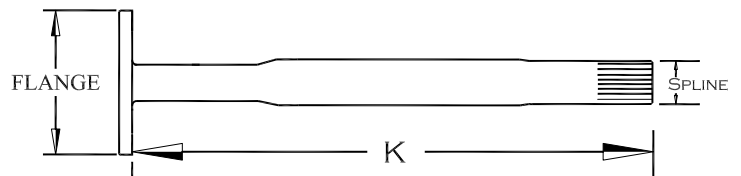
NAME _____
ADDRESS _____
CITY, STATE, ZIP _____
CC# _____
EXP. DATE _____ CVC # _____

QUANTITY & PART DESCRIPTION BEING ORDERED _____



HOUSING

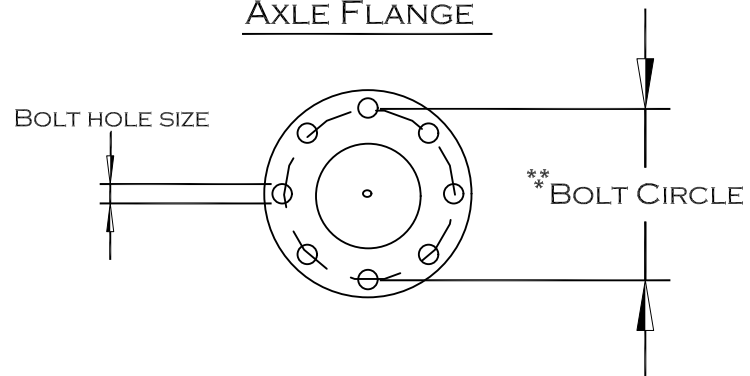
*A _____ *B _____
*A(LEFT) _____ *B(LEFT) _____
*A(RIGHT) _____ *B(RIGHT) _____
*X _____



AXLE

K(LEFT) _____ SPLINE _____
K(RIGHT) _____ FLANGE _____
BOLT HOLE SIZE _____
**B.C. _____

AXLE FLANGE



TYPE OF DIFFERENTIAL (FORD 9, CHEVY 12 BOLT, ETC.) _____

TYPE & BRAND OF CARRIER (YUKON SPOOL, EATON POSI, ETC.) _____

*WHEN ORDERING AXLES ONLY, THE A, B, & X DIMENSIONS ARE NOT REQUIRED.